



STAINLESS STEEL FABRICATED CONVENIENCE STORE SINKS



Item #:	_____	Qty #:	_____
Model #:	_____		
Project #:	_____		



**WASH, RINSE & SANITIZE
In Under 5 Feet!**

MODEL	Overall Length	Bowl Size	Drbd. Size	Approx. Wt.	Approx. Cu. Ft.
K7-CS-21-EC-X	58"	10" x 14" x 10"	12"	75 lbs.	18 lbs.



FEATURES:

- Tile edge for ease of installation.
- Three fabricated sink compartments with two drainboards.
- 8-1/2" high backsplash.
- Galvanized legs with adjustable plastic bullet feet.
- 3 1/2" K-6 Drain with basket.

CONSTRUCTION:

- All TIG welded.
- Welded areas blended to match adjacent surfaces and to a satin finish.

MATERIAL:

- Heavy gauge type "304" stainless steel.
- Legs are 1 5/8" diameter galvanized steel with gussets.
- 1" adjustable plastic bullet feet.



**Fabricated Bowls are
Welded Together
at the Seams**

ACCESSORIES	Model #	Qty
FAUCETS		



Customer Service Available To Assist You 1-800-645-3166 8:30 am - 8:00 pm E.S.T.

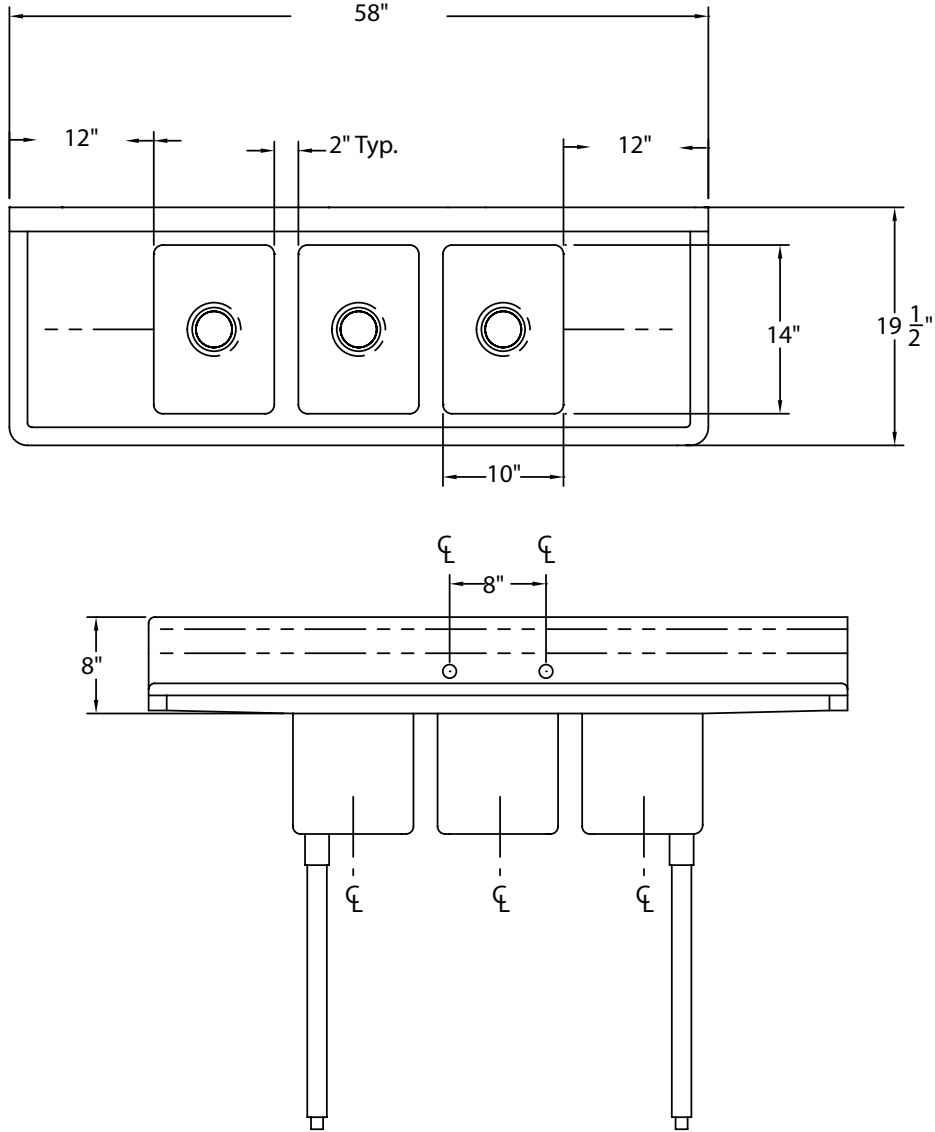
For Orders & Customer Service:
Email: customer@advancetabco.com or Fax: 631-242-6900

For Smart Fabrication™ Quotes:
Email: smartfab@advancetabco.com or Fax: 631-586-2933

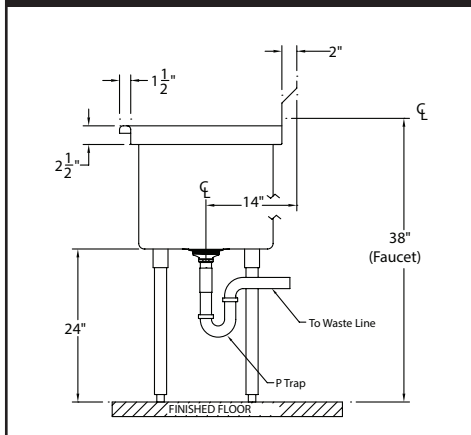
DIMENSIONS and SPECIFICATIONS

TOL Overall: $\pm .500''$
 Interior: $\pm .250''$

ALL DIMENSIONS ARE TYPICAL



PLUMBING ROUGH-IN



MECHANICAL:

- Supply is 1/2" IPS hot & cold.
- Faucet holes on 8" centers.
- Faucets are not included (see accessories).
- Waste drains are 1 1/2" IPS S/S basket type, located in center of sink bowl, and are included.



SECTION

